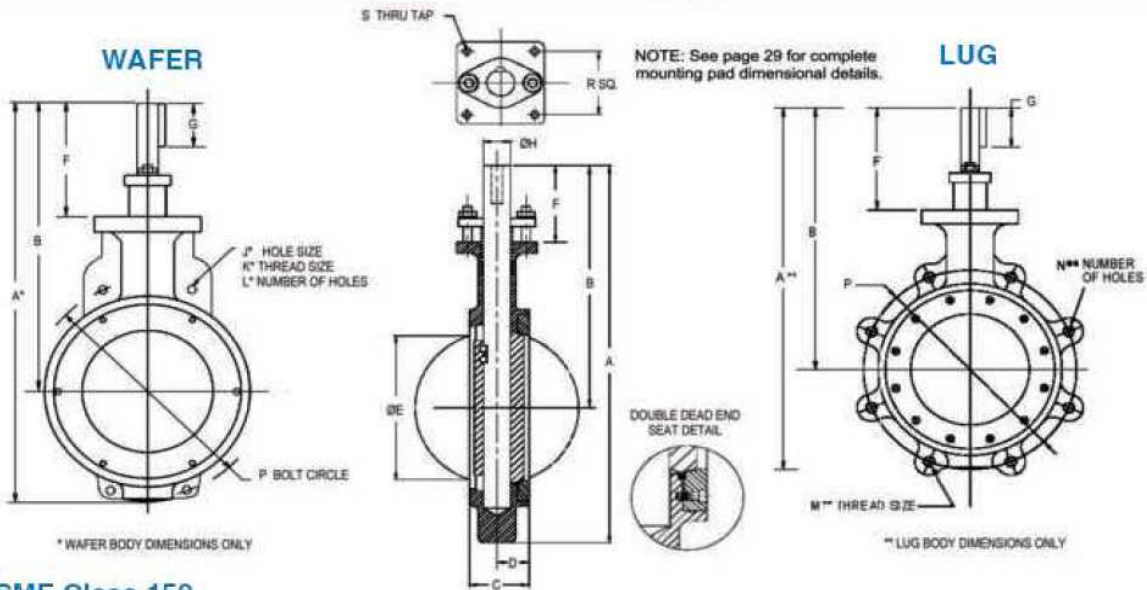




High Performance Butterfly Valves

Dimensions

Soft Seat



ASME Class 150

VALVE SIZE	WAFER		LUG															WEIGHT (LBS.)	
	A*	A**	B	C	D	E	F	G	H	J*	K*	L*	M**	N**	P	R	S	WAFER	LUG
2"	10.59	10.59	7.59	1.75	1.06	1.72	3.34	3/16	.500	-	-	-	5/8-11	4	4.750	2.25	3/8-16	8	11
2.5"	10.30	10.30	7.59	1.88	1.09	2.09	3.34	3/16	.500	-	-	-	5/8-11	4	5.500	2.25	3/8-16	8	11
3"	11.60	11.98	8.60	1.92	1.20	2.75	3.60	3/16	.625	-	-	-	5/8-11	4	6.000	2.25	3/8-16	11	13
3.5"	11.97	11.97	8.72	2.05	1.30	3.19	3.60	3/16	.625	-	-	-	5/8-11	8	7.000	2.25	3/8-16	14	17
4"	12.92	13.55	9.42	2.13	1.26	3.62	3.67	3/16	.625	-	-	-	5/8-11	8	7.500	2.25	3/8-16	17	25
5"	14.53	15.16	10.28	2.25	1.34	4.55	3.81	1/4	.750	-	-	-	3/4-10	8	8.500	2.25	3/8-16	20	30
6"	15.69	15.93	10.81	2.29	1.38	5.55	3.81	1/4	.750	-	-	-	3/4-10	8	9.500	2.25	3/8-16	30	35
8"	17.81	17.94	11.93	2.50	1.49	7.28	3.80	3/8	1.000	-	-	-	3/4-10	8	11.750	2.25	3/8-16	44	48
10"	19.85	20.85	12.97	2.81	1.70	9.20	4.09	3/8	1.250	oval	-	2	7/8-9	12	14.250	3.25	3/8-16	71	91
12"	24.96	24.96	15.46	3.23	1.86	11.15	4.83	3/8	1.500	oval	-	2	7/8-9	12	17.000	3.25	3/8-16	110	127
14"	27.14	27.14	16.07	3.62	2.19	12.76	4.82	3/8	1.500	oval	-	4	1-8	12	18.750	3.25	3/8-16	135	183
16"	31.66	31.66	19.61	4.00	2.31	14.58	6.92	1/2	1.750	oval	-	4	1-8	16	21.250	4.25	1/2-13	182	250
18"	34.53	34.53	21.35	4.50	2.45	16.38	7.35	1/2	2.000	thru	-	4	1-1/8-8	16	22.750	4.25	1/2-13	234	305
20"	36.70	36.70	22.76	5.00	2.94	18.38	7.63	3/4	2.250	thru	1-1/8-8	4	1-1/8-8	20	25.000	5.00	3/4-10	320	414
24"	41.57	41.57	25.13	6.06	3.12	21.88	7.88	3/4	2.500	-	1-1/4-8	4	1-1/4-8	20	29.500	5.00	3/4-10	505	702
30"	52.08	52.08	29.35	6.75	3.53	28.00	8.73	3/4	3.000	-	1-1/4-8	4	1-1/4-8	28	36.000	5.00	3/4-10	925	1130
36"	64.75	64.75	32.64	8.38	4.34	33.66	8.14	1	3.750	-	1-1/2-8	4	1-1/2-8	32	42.750	7.00	1-8	1630	1890
42"	73.24	73.24	37.62	9.25	5.03	40.31	9.62	1	4.500	-	1-1/2-8	4	1-1/2-8	36	49.500	7.00	1-8	2475	2700
48"	80.13	80.13	41.88	10.62	5.62	45.25	10.63	1-1/4	5.000	-	1-1/2-8	4	1-1/2-8	44	56.000	9.00	1-8	2815	3085



Soft Seat

Dimensions

ASME Class 300

VALVE SIZE	WAFER		LUG		B	C	D	E	F	G	H	J*	K*	L*	M**	N**	P	R	S	WEIGHT (LBS.)	
	A*	A**	B	C																WAFER	LUG
2"	10.59	10.59	7.59	1.75	1.06	1.72	3.34	3/16	.500	-	-	-	5/8-11	8	5.000	2.25	3/8-16	8	11		
2.5"	10.30	10.30	7.59	1.88	1.09	2.09	3.34	3/16	.500	-	-	-	3/4-10	8	5.880	2.25	3/8-16	8	11		
3"	11.60	11.98	8.60	1.92	1.20	2.75	3.60	3/16	.625	-	-	-	3/4-10	8	6.625	2.25	3/8-16	12	17		
3.5"	11.97	11.97	8.72	2.05	1.30	3.19	3.60	3/16	.625	-	-	-	3/4-10	8	7.250	2.25	3/8-16	14	19		
4"	12.92	13.54	9.42	2.13	1.25	3.62	3.67	3/16	.625	-	-	-	3/4-10	8	7.875	2.25	3/8-16	17	24		
5"	14.53	15.16	10.28	2.25	1.34	4.55	3.81	1/4	.750	-	-	-	3/4-10	8	9.250	2.25	3/8-16	20	30		
6"	15.93	16.31	10.81	2.29	1.38	5.55	3.81	3/8	1.000	-	-	-	3/4-10	12	10.625	2.25	3/8-16	30	49		
8"	18.10	19.50	12.22	2.88	1.54	7.06	4.08	3/8	1.250	-	-	-	7/8-9	12	13.000	3.25	3/8-16	52	80		
10"	21.60	22.10	14.22	3.25	1.70	9.00	4.84	3/8	1.500	-	1-8	2	1-8	16	15.250	3.25	3/8-16	88	115		
12"	28.40	28.40	17.90	3.62	1.85	10.72	6.90	1/2	1.750	-	1-1/8-8	4	1-1/8-8	16	17.750	4.25	1/2-13	153	199		
14"	34.31	34.31	19.74	4.62	2.48	12.08	7.36	1/2	2.000	-	1-1/8-8	4	1-1/8-8	20	20.250	4.25	1/2-13	285	324		
16"	38.14	38.14	21.82	5.25	2.59	13.72	7.82	3/4	2.250	-	1-1/4-8	4	1-1/4-8	20	22.500	5.00	3/4-10	336	401		
18"	40.26	40.26	23.00	5.88	3.03	15.56	7.87	3/4	2.500	-	1-1/4-8	4	1-1/4-8	24	24.750	5.00	3/4-10	393	517		
20"	43.62	43.62	25.13	6.31	3.24	17.22	8.74	3/4	3.000	-	1-1/4-8	4	1-1/4-8	24	27.000	5.00	3/4-10	510	735		
24"	49.94	49.94	28.27	7.19	3.62	20.61	8.89	1	3.500	-	1-1/2-8	4	1-1/2-8	24	32.000	7.00	1-8	733	1020		
30"	62.40	62.40	31.90	8.88	4.39	27.25	9.02	1	4.500	-	1-3/4-8	4	1-3/4-8	28	39.250	7.00	1-8	1745	2145		

ASME Class 600

VALVE SIZE	WAFER		LUG		B	C	D	E	F	G	H	J*	K*	L*	M**	N**	P	R	S	WEIGHT (LBS.)	
	A*	A**	B	C																WAFER	LUG
2"	10.59	10.59	7.59	1.75	1.06	1.72	3.34	3/16	.500	-	-	-	5/8-11	8	5.000	2.25	3/8-16	11	13		
2.5"	10.30	10.30	7.59	1.88	1.09	2.14	3.34	3/16	.500	-	-	-	3/4-10	8	5.880	2.25	3/8-16	11	13		
3"	11.60	12.10	8.60	2.12	1.20	2.50	3.60	3/16	.625	-	-	-	3/4-10	8	6.625	2.25	3/8-16	13	18		
4"	14.43	14.93	9.81	2.50	1.40	3.43	3.81	1/4	.750	-	-	-	7/8-9	8	8.500	2.25	3/8-16	30	52		
6"	17.27	18.46	11.71	3.06	1.68	5.18	4.09	3/8	1.250	1/8	1-8	2	1-8	12	11.500	3.25	3/8-16	42	85		
8"	21.35	22.00	13.97	4.00	1.85	6.28	4.84	3/8	1.500	-	-	-	1-1/8-8	12	13.750	3.25	3/8-16	72	127		
10"	31.15	31.15	17.90	4.62	2.00	7.95	6.90	1/2	1.750	-	1-1/4-8	4	1-1/4-8	16	17.000	4.25	1/2-13	170	233		
12"	34.80	34.80	20.13	5.50	2.53	9.68	7.50	3/4	2.250	-	1-1/4-8	4	1-1/4-8	20	19.250	5.00	3/4-10	245	379		
16"	-	44.25	25.38	7.00	3.50	12.60	9.38	3/4	3.000	-	-	-	1-1/2-8	20	23.750	5.00	3/4-10	-	1170/		

200 PSI Butterfly Valves

Cast Iron Body • Extended Neck
Cartridge Seat Liner • Wafer Style

Sizes 2" through 12"

Install between Std. ANSI Class 125/150 Flanges

CONFORMS TO MSS-SP67

MATERIAL LIST

PART	SPECIFICATION
1. Body	Cast Iron ASTM A-126 CL.B
2. Body Bushing	Bronze ASTM B-584 Grade C83600
3. Liner	EPDM Rubber w/Phenolic Backing Buna-N Rubber Nitrile w/Phenolic Backing
4. Stem	Stainless Steel ASTM A 582 Type 416
5. Disc	Alum. Brz. ASTM B-148 Alloy C95400 Ductile Iron ASTM A 536 Grade 65-45-12 (plated) Stainless Steel ASTM A 351 CF8M
6. Taper Pin (2 pin 6" - 12")	Stainless Steel ASTM A 582 Type 416
7. Name Plate	Aluminum
8. Shaft Bushing	Bronze ASTM B 584 Grade C83600
9. Stem Seal	Buna-N Rubber Nitrile

DIMENSIONS — WEIGHTS

Size In. mm.	A Dia.	Min. Pipe I.D.	B Dia.	C Dia.	D	E	F	G Body	H Seat	I Dia.
2 50	2.08	1.38	3.00	3.94	6.34	1.26	10.75	1.655	1.772	0.496
2½ 65	2.54	1.95	3.50	4.72	6.89	1.26	11.65	1.759	1.874	0.496
3 80	3.10	2.66	4.09	5.00	7.13	1.26	12.12	1.780	1.929	0.496
4 100	4.10	3.67	5.32	6.14	7.87	1.26	13.62	2.050	2.154	0.621
5 125	4.85	4.48	6.26	7.48	8.39	1.26	14.65	2.140	2.283	0.745
6 150	6.12	5.84	7.42	8.35	8.90	1.26	15.62	2.195	2.307	0.745
8 200	7.97	7.85	9.38	10.55	10.24	1.77	18.88	2.385	2.496	0.870
10 250	9.86	9.76	11.51	12.79	11.50	1.77	21.26	2.584	2.756	1.120
12 300	11.87	11.72	13.55	15.87	13.27	1.77	24.57	3.029	3.154	1.244

Size In. mm.	J Dia.	B.C. Dia.	L Dia.	M Dia.	R Dia.	P	Q Dia.	S Dia.	T Flats	Wafer Weight Lbs. Kg.	
2 50	3.00	2.25	0.26	0.75	4.75	4	¾-11UNC	4.75	.350	5.5	2.5
2½ 65	3.03	2.25	0.26	0.75	5.50	4	¾-11UNC	5.50	.350	7.0	3.2
3 80	3.03	2.25	0.26	0.75	6.00	4	¾-11UNC	6.00	.350	8.0	3.6
4 100	3.62	2.75	0.41	0.75	7.50	8	¾-11UNC	7.50	.437	11.0	5.0
5 125	3.62	2.75	0.41	0.88	8.50	8	¾-10UNC	8.50	.500	15.5	7.0
6 150	3.62	2.75	0.41	0.88	8.50	8	¾-10UNC	9.50	.500	17.5	7.9
8 200	4.50	3.50	0.56	0.88	11.75	8	¾-10UNC	11.75	.625	29.0	13.2
10 250	4.50	3.50	0.56	1.00	14.25	12	¾-9UNC	14.25	.812	42.5	19.3
12 300	5.50	4.25	0.56	1.00	17.00	12	¾-9UNC	17.00	.875	71.5	32.5

NOT RECOMMENDED
FOR STEAM SERVICE

N200135
EPDM Liner
Aluminum Bronze Disc

N200136
EPDM Liner
Ductile Iron Disc

N200137
EPDM Liner
Stainless Steel Disc

N200145
Buna Liner
Aluminum Bronze Disc

N200146
Buna Liner
Ductile Iron Disc

N200147
Buna Liner
Stainless Steel Disc

